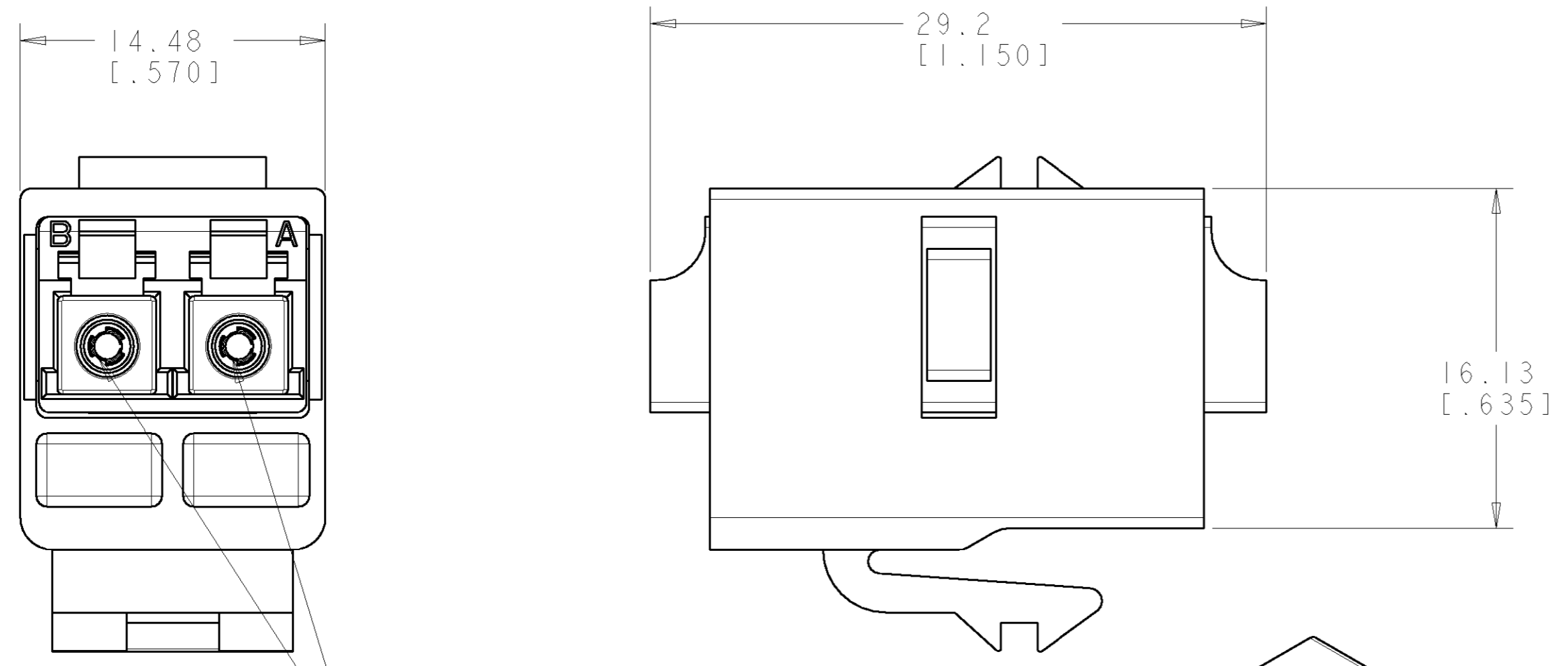


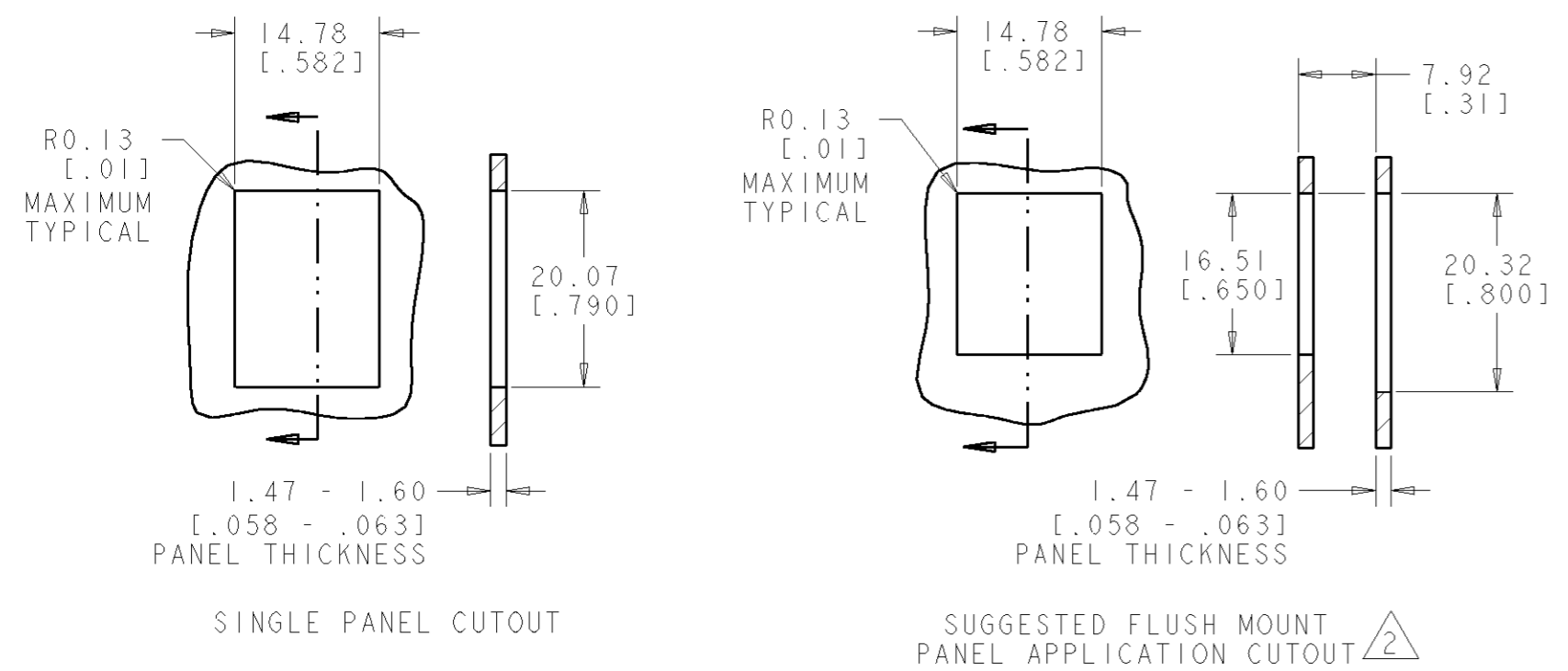
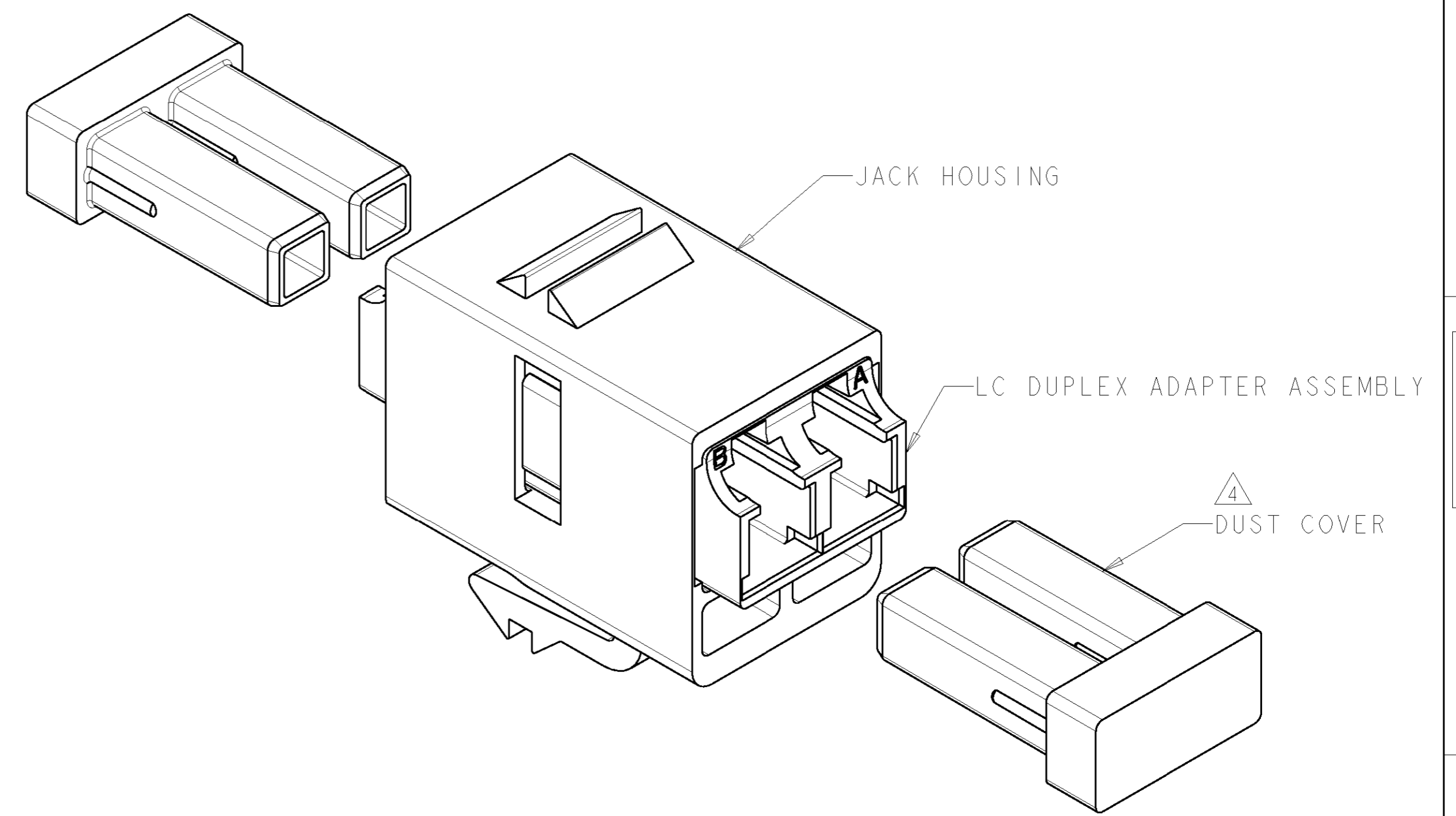
THIS DRAWING IS UNPUBLISHED. RELEASED FOR PUBLICATION 20
 © COPYRIGHT 20 BY TYCO ELECTRONICS CORPORATION. ALL RIGHTS RESERVED.

LOC	DIST	REVISIONS					
HM	00	P	LTR	DESCRIPTION	DATE	DWN	APVD
		A		RLSD; NSD07-026	17APR2007	GG	GB
		B		REV; ECO-07-018556	09AUG2007	GG	GB



- 1 MATERIAL: JACK HOUSING - POLYPHENYLENE OXIDE, 94V-0 RATED. SEE TABLE FOR COLOR. LC DUPLEX ADAPTER ASSEMBLY - ULTEM 1010R. SEE TABLE FOR COLOR.
- 2 THESE TWO SUGGESTED CUTOUT OPENINGS ARE USED IN TANDEM WITH DUAL FRONT AND BACK CUTOUTS.
- 3 PACKAGED ONE ASSEMBLY PER POLYBAG.
- 4 DUST COVERS SHOWN NOT ASSEMBLED BUT SHIPPED ASSEMBLED TO DUPLEX LC ADAPTER.

ALIGNMENT SLEEVE, BRONZE
 QUANTITY 2



3	BEIGE	1-1933284-2
	BLACK	1-1933284-1
	AQUA	1933284-6
	COLOR	PART NUMBER

<small>THIS DRAWING IS A CONTROLLED DOCUMENT FOR TYCO ELECTRONICS CORPORATION. IT IS SUBJECT TO CHANGE AND THE CONTROLLING ENGINEERING ORGANIZATION SHOULD BE CONTACTED FOR THE LATEST REVISION.</small>		DWN G. GARRETT 17APR07 CHK G. BOWMAN 17APR07 APVD G. BOWMAN 17APR07		tyco Tyco Electronics Harrisburg, PA 17105-3608	
DIMENSIONS: MM [INCHES] 		TOLERANCES UNLESS OTHERWISE SPECIFIED: 0 PLC ± 1 PLC ± 2 PLC ± 3 PLC ± 4 PLC ± ANGLES ± FINISH		NAME: DUPLEX, LC ADAPTER, MM, SL HOUSING SIZE: A2 CAGE CODE: 00779 C=1933284 DRAWING NO: 1933284	
MATERIAL: 1		PRODUCT SPEC: - APPLICATION SPEC: - WEIGHT: -		RESTRICTED TO: -	
CUSTOMER DRAWING		SCALE: 4:1		SHEET 1 OF 1 REV B	